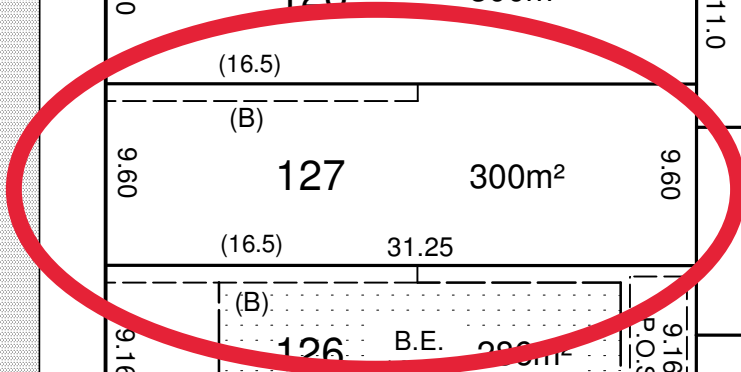


	10.02	17.145	
	32.19		
10.475	337m <sup>2</sup>	135	10.475
10.475	337m <sup>2</sup>	136	10.475
15.90	512m <sup>2</sup>	137	15.90
	32.19		
15.90	512m <sup>2</sup>	138	15.90

SED

( 16 WIDE )

	16.175	9.925	9.37	9.37	16.16
9.60	129 300m <sup>2</sup>		9.60	29.75	
	(16.5)	31.25		10.475	10.475
9.60	128 300m <sup>2</sup>		9.60	311.5m <sup>2</sup> 115	
	(16.5)			11.0	11.0
9.60	127 300m <sup>2</sup>		9.60	327m <sup>2</sup> 116	
	(16.5)	31.25		11.0	11.0
9.16	126 B.E. 286m <sup>2</sup>		9.16	327m <sup>2</sup> 117	
	(6)	(16.5) C.S.	(4)	11.0	11.0
9.165	125 B.E. 286m <sup>2</sup>		9.165	327m <sup>2</sup> 118	
	(6)	(16.5) C.S.	(4)	11.0	11.0
9.60	124 300m <sup>2</sup>		9.60	327m <sup>2</sup> 119	
	(B)	(16.5)		11.0	11.0



(3.5)

( 9.3 WIDE )